

JET

Applications

For water supply from wells or reservoirs.
For domestic use, for civil and industrial applications.
For garden use and irrigation.

Operating conditions

Maximum fluid temperature up to +40°C.
Maximum sand content : 0.25%.

Motor and Pump

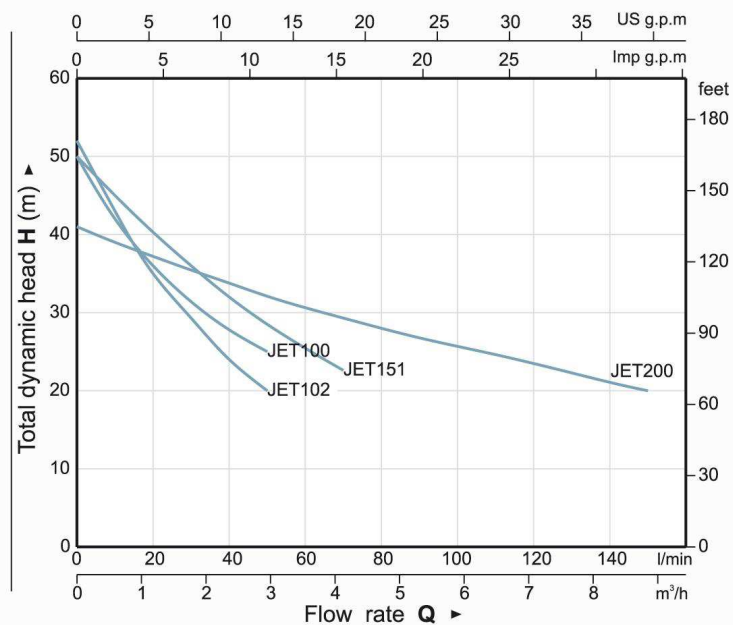
Rewindable motor
Three-phase: 380V - 415V /50Hz
Single-phase: 220V - 240V /50Hz
Curve tolerance according to ISO 9906

Options on request

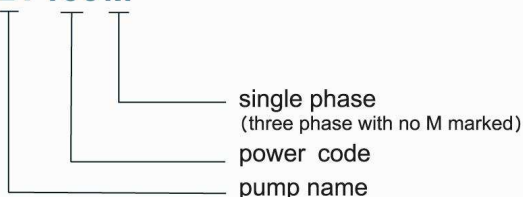
Special mechanical seal
Other voltages or frequency 60 Hz

Warranty: 1 year

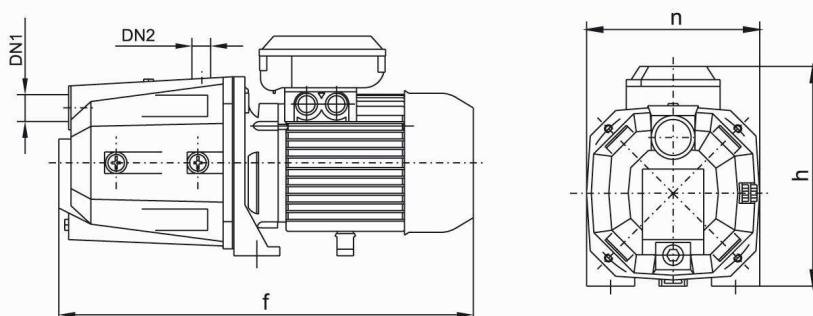
(according to our general sales conditions).



JET 100M



MODEL	DN1	DN2	DIMENSIONS(mm)		
			n	h	f
JET100M	1"	1"	180	402	201
JET102M	1"	1"	173	420	203
JET151M	1¼"	1"	180	440	215
JET200M	1½"	1¼"	216	542	250



PERFORMANCE DATA 50Hz

MODEL		P ₂		DELIVERY											
1~ 220V/240V	3~ 380V/415V	KW	HP	n ≈ 2850 1/min											
				Q	0	0.6	1.2	1.8	2.4	3.0	4.2	5.4	6.6	7.8	9
					0	10	20	30	40	50	70	90	110	130	150
JET100M	JET100	0.75	1	H _(m)	50	42	36	31.4	27.8	25	-	-	-	-	-
JET102M	JET102	0.75	1		52	43	35	29.3	24	20	-	-	-	-	-
JET151M	JET151	1.1	1.5		50	45	40.3	36	32	28.5	22.6	-	-	-	-
JET200M	JET200	1.5	2		41	39	37.2	35.5	34	32.2	29.3	26.8	24.7	22.1	20